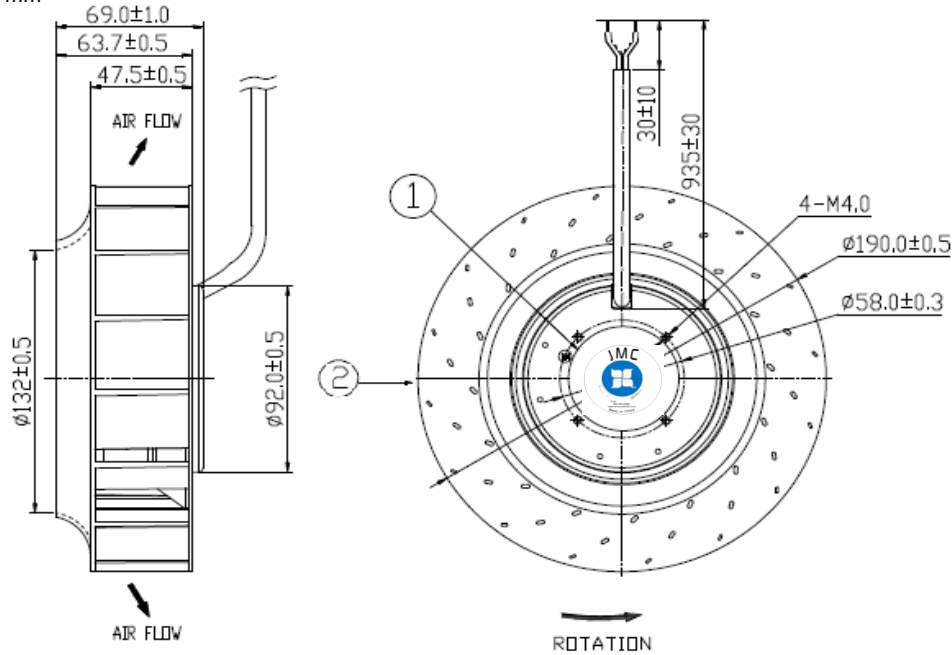


NOT RELEASED FOR PRODUCTION

Revision History

EC No	REV	Date	Description	Approvals
NA	X00	4/4/25	Created Dwg.	JE

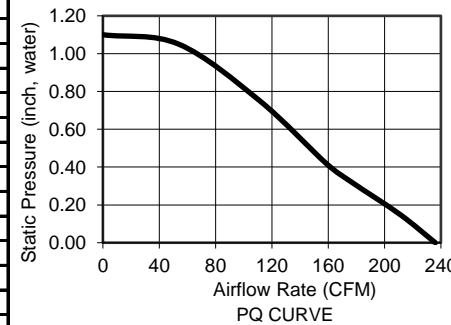
Unit: mm




1. THIS FAN AND ALL OF ITS COMPONENTS COMPLY WITH THE REQUIREMENTS OF RoHS DIRECTIVE EU 2015/863.
2. BASE MODEL FAN - ANY CHANGES TO SPECIFICATION REQUIRES NEW PART NUMBER AND DRAWING.

WIRE DESIGNATION	
COLOR	FUNCTION
Red	PWR (+24)
Black	GND (-)

	ITEM	SPECIFICATION	UNITS / NOTES
MECHANICAL	Speed	2300 +/- 10%	RPM at 24 Vdc
	Airflow	236	CFM in Free Air
	Static Pressure	1.10	Inch, H ₂ O
	Bearing Type	Ball, Dual	N/A
	Operating Temp	(-)10 to 60	Deg C
	Storage Temp	(-) 40 to 70	Deg C
	Noise Level	61.0	dBA Max at 1M
PHYSICAL	Blade Material	UL 94V-0	N/A
	Frame Material	UL 94V-0	N/A
	Wire Size	24	AWG
	Wire Type	UL1007	N/A
	Wire Assembly	First Slot	N/A
	Regulatory Approvals	Pending	N/A
ELECTRICAL	Net Weight	TBD	Grams Approx.
	Operating Voltage	20.0-27.6	Vdc
	Start up Voltage	20.0	Vdc
	Start up PWM duty cycle	NA	%
	Rated Current	1.65 (1.9 Max)	Amp
	Input Power	39.6 (45.6 Max)	Watts
	Tach Output	NA	Pulses/Rev
	Polarity Protection	Yes	N/A
	Motor Protection	Yes	Type 2, AR



2	1	Fan Model	1969 - 24	JMC
1	1	Logo Label	L19000B0021	JMC
Item	Qty	Description	Part Number	MFG
Austin Texas, USA		 Motorized Impeller, 190x69, 24Vdc, Dual Ball, Base Model		
Dong Guan, PRC				
Drawn By		The Fan Company		
S. Apsangi		Size	Drawing Number	Rev
Engineer		A1	19000B0021	X00
J. Elmo		Scale: None		Sheet 1 of 1

PROPRIETARY NOTE

This document is the property of JMC products and contains sensitive and confidential information. Neither this document nor any information it contains may be reproduced or distributed, without written permission by JMC products.