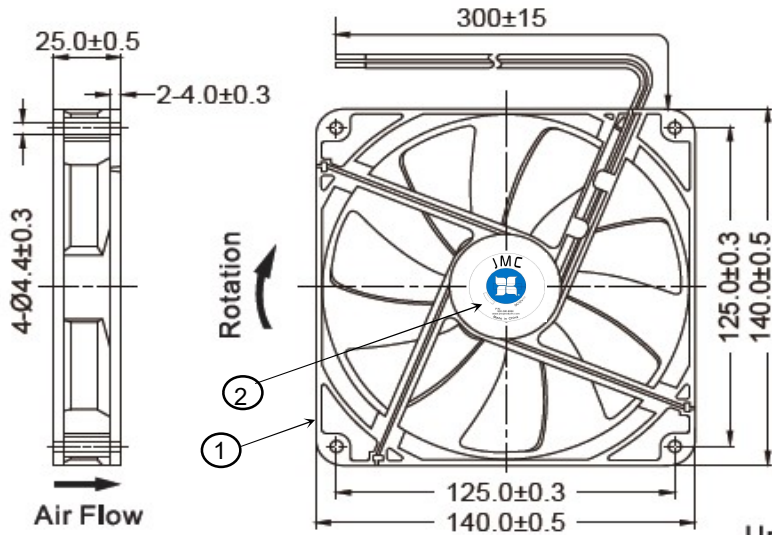
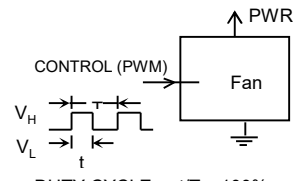


NOT RELEASED FOR PRODUCTION



Unit: mm

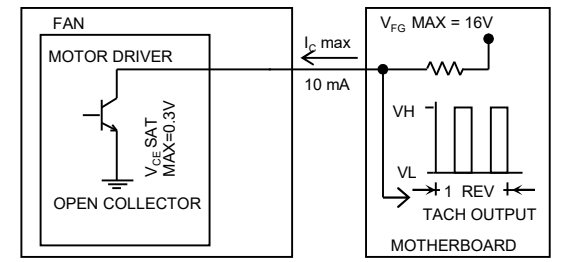
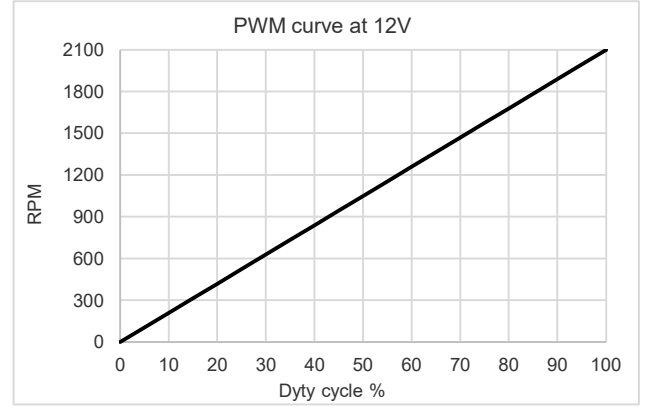
WIRE DESIGNATION	
COLOR	FUNCTION
Red	PWR (+)
Black	GND (-)
Yellow	Tach
Blue	PWM



DUTY CYCLE = $t/T \times 100\%$
 PWM Fcy: 25KHz +/-5KHz
 PWM_High V_H : 2.8V - 5.5V
 PWM_Low V_L : 0V - 0.4V
 PWM Pin Open: Full Speed

FRONT END PWM CIRCUIT

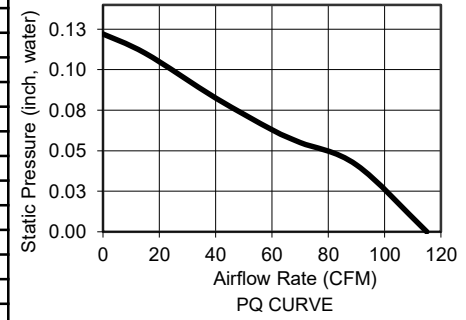
1. THIS FAN AND ALL OF ITS COMPONENTS COMPLY WITH THE REQUIREMENTS OF RoHS DIRECTIVE EU 2015/863.
2. BASE MODEL FAN - ANY CHANGES TO SPECIFICATION REQUIRES NEW PART NUMBER AND DRAWING.



TACH OUTPUT ELECTRICAL CHARACTERISTICS

Frame Type (Closed Barrel)

	ITEM	SPECIFICATION	UNITS / NOTES
MECHANICAL	Speed	2100 +/- 10%	RPM at 12 Vdc
	Airflow	115	CFM in Free Air
	Static Pressure	0.12	Inch, H ₂ O
	Bearing Type	Ball, Dual	N/A
	Operating Temp	(-)10 to 60	Deg C
	Storage Temp	(-) 40 to 70	Deg C
	Noise Level	40.6	dBA Max at 1M
PHYSICAL	Blade Material	UL 94V-0	N/A
	Frame Material	UL 94V-0	N/A
	Wire Size	26	AWG
	Wire Type	UL1007	N/A
	Wire Assembly	First Slot	N/A
ELECTRICAL	Regulatory Approvals	Pending	N/A
	Net Weight	125	Grams Approx.
	Operating Voltage	10.8-12.6	Vdc
	Start up Voltage	10.8	Vdc
	Start up PWM duty cycle	30	%
	Rated Current	0.4	Amp
	Input Power	4.8	Watts
	Tach Output	2	Pulses/Rev
	Polarity Protection	Yes	N/A
	Motor Protection	Yes	Type 2, AR



2	1	Logo Label	L14001B0004	JMC
1	1	Fan Model	1425 - 12	JMC
Item	Qty	Description	Part Number	MFG
		Austin Texas, USA Dong Guan, PRC	Fan, 140 x 25, 12Vdc, PWM Dual Ball, Base Model	
		Drawn By S. Apsangi		
		Engineer J. Elmo	Size A1 Drawing Number 14001B0004 Scale: None	Rev X00 Sheet 1 of 1

PROPRIETARY NOTE

This document is the property of JMC products and contains sensitive and confidential information. Neither this document nor any information it contains may be reproduced or distributed, without written permission by JMC products.